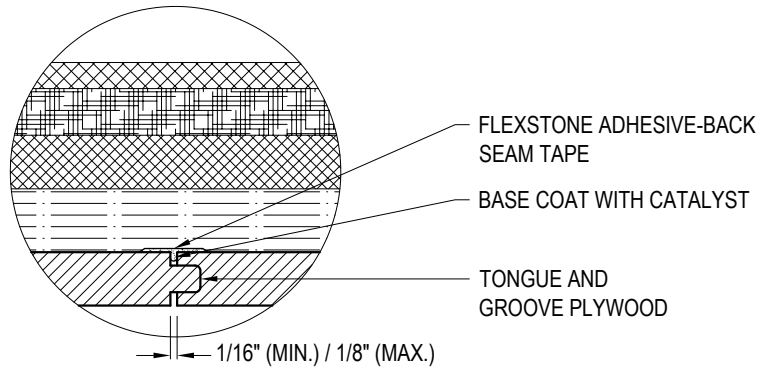
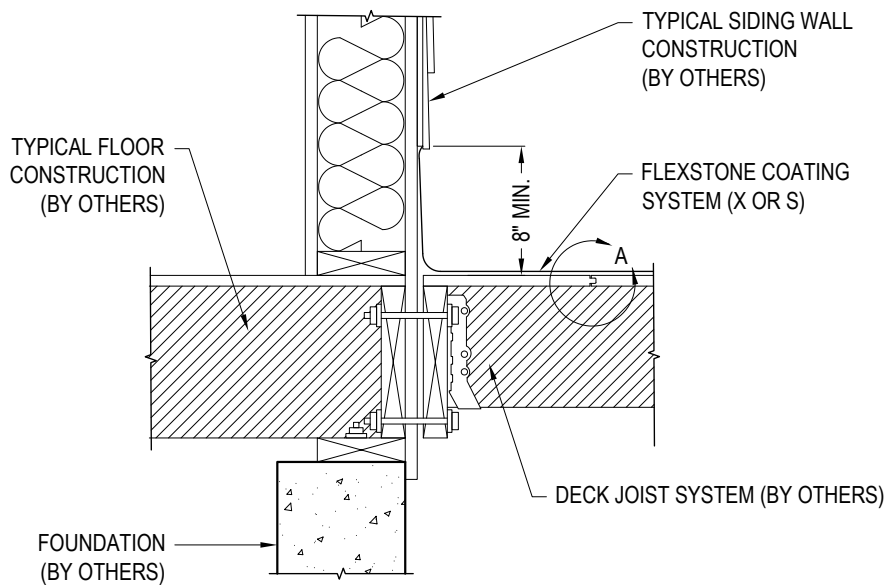


SELECT DESIRED FINISH:

- ASH BROWN
- MONTEREY SAND
- ROCKY GREY
- SIDEWALK GREY



DETAIL A
SEAM PREPARATION



TYPICAL SECTION OF WALL

MANUFACTURERS NOTES

1. FOR CONCRETE SURFACES, FLEXSTONE #3 PRIMER/SEALER (A+B) MUST BE INSTALLED PRIOR TO THE INSTALLATION OF BASE MEMBRANE AND FINISH COATS.

NOTES:

1. INSTALLATION TO BE COMPLETED IN ACCORDANCE WITH MANUFACTURER'S SPECIFICATIONS.
2. DO NOT SCALE DRAWING.
3. THIS DRAWING IS INTENDED FOR USE BY ARCHITECTS, ENGINEERS, CONTRACTORS, CONSULTANTS AND DESIGN PROFESSIONALS FOR PLANNING PURPOSES ONLY. THIS DRAWING MAY NOT BE USED FOR CONSTRUCTION.
4. ALL INFORMATION CONTAINED HEREIN WAS CURRENT AT THE TIME OF DEVELOPMENT BUT MUST BE REVIEWED AND APPROVED BY THE PRODUCT MANUFACTURER TO BE CONSIDERED ACCURATE.
5. CONTRACTOR'S NOTE: FOR PRODUCT AND COMPANY INFORMATION VISIT www.CADdetails.com/info AND ENTER REFERENCE NUMBER 5457-014.

